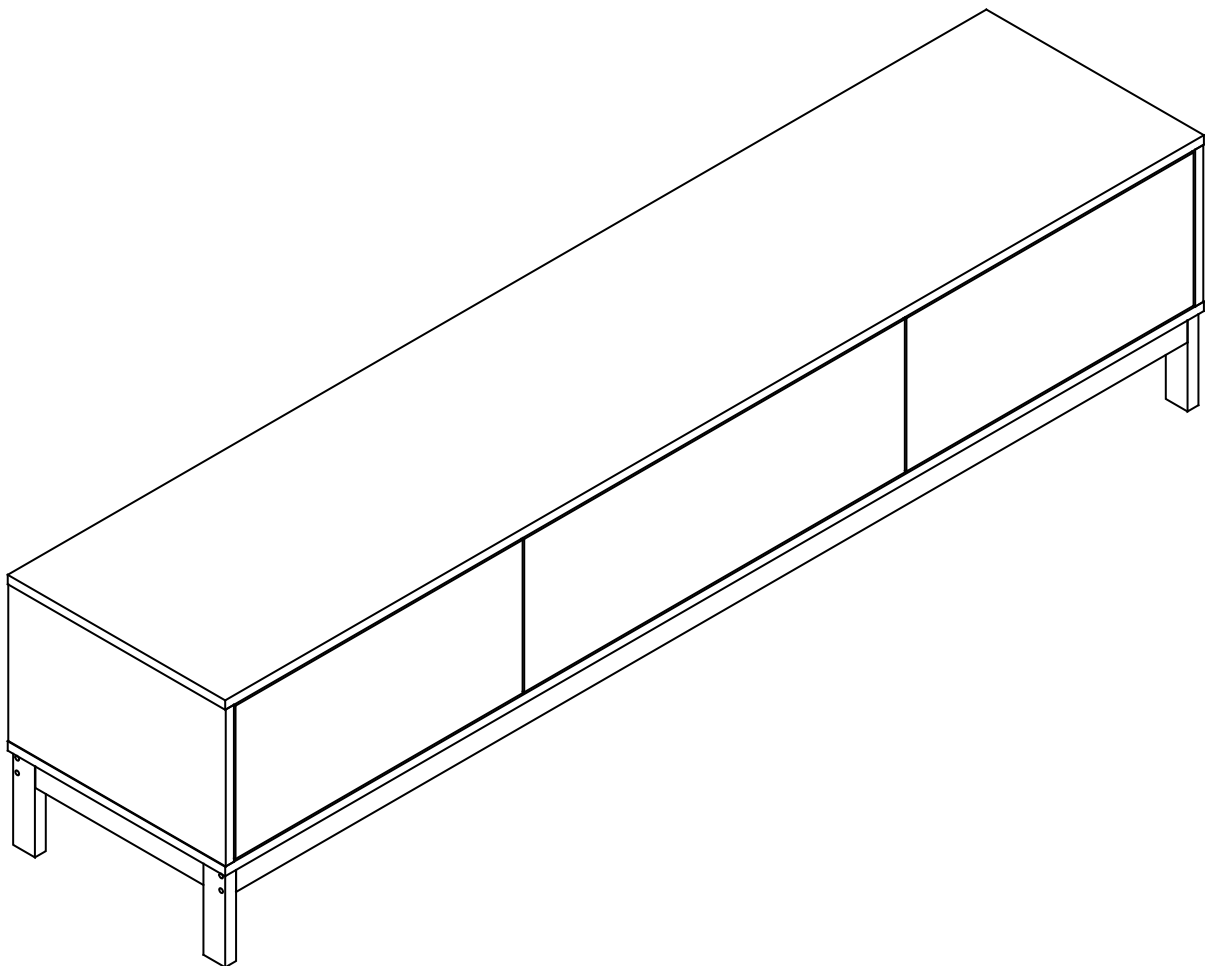


# Zander Entertainment unit

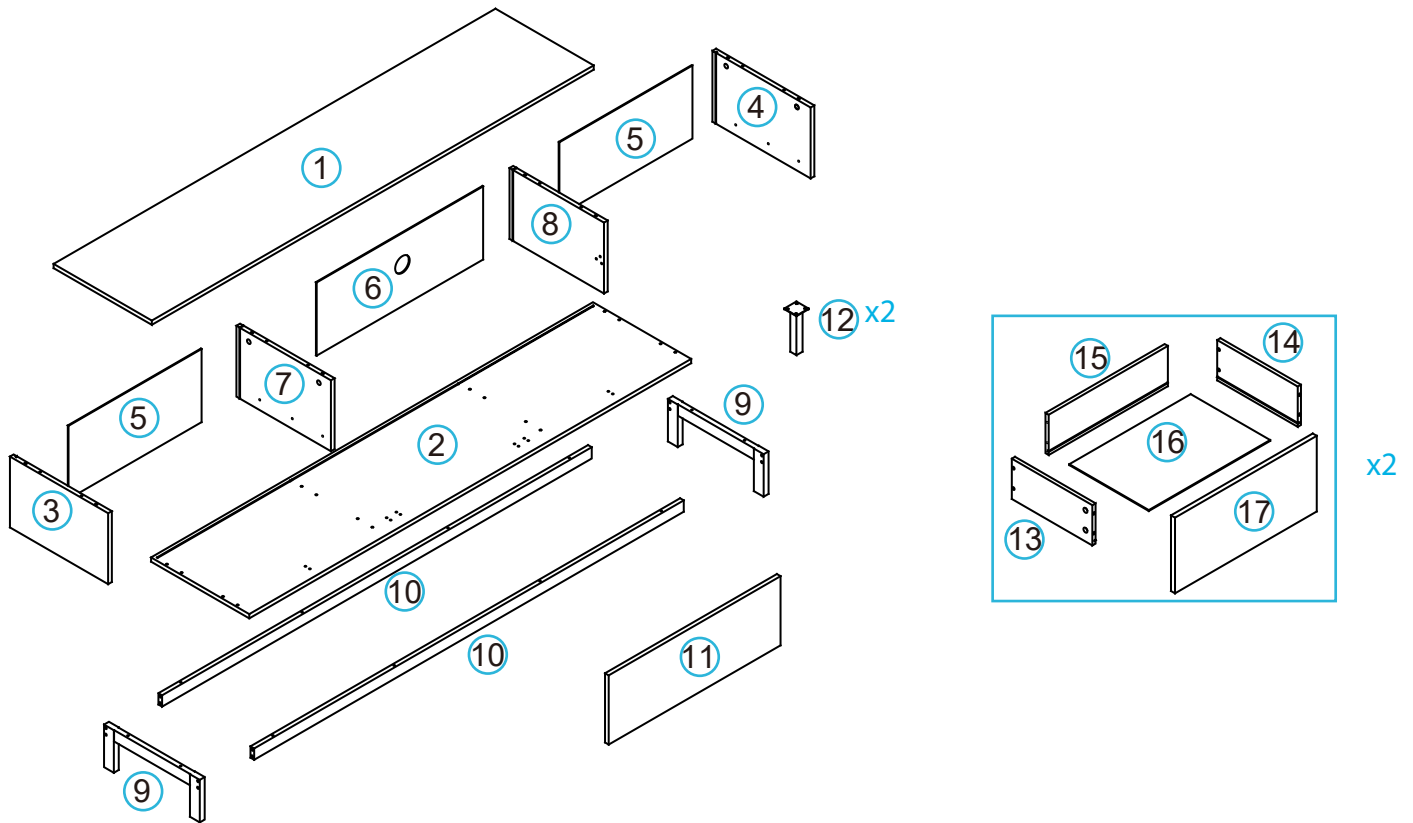
## Assembly Instructions

mocka

Thank you for your purchase. Please follow the instructions for correct assembly. While we took great effort to ensure these assembly instructions were correct at the time of printing, sometimes updates are required post production. For the most up to date versions please refer to the product page on our website. [mocka.com.au/mocka.co.nz](http://mocka.com.au/mocka.co.nz)



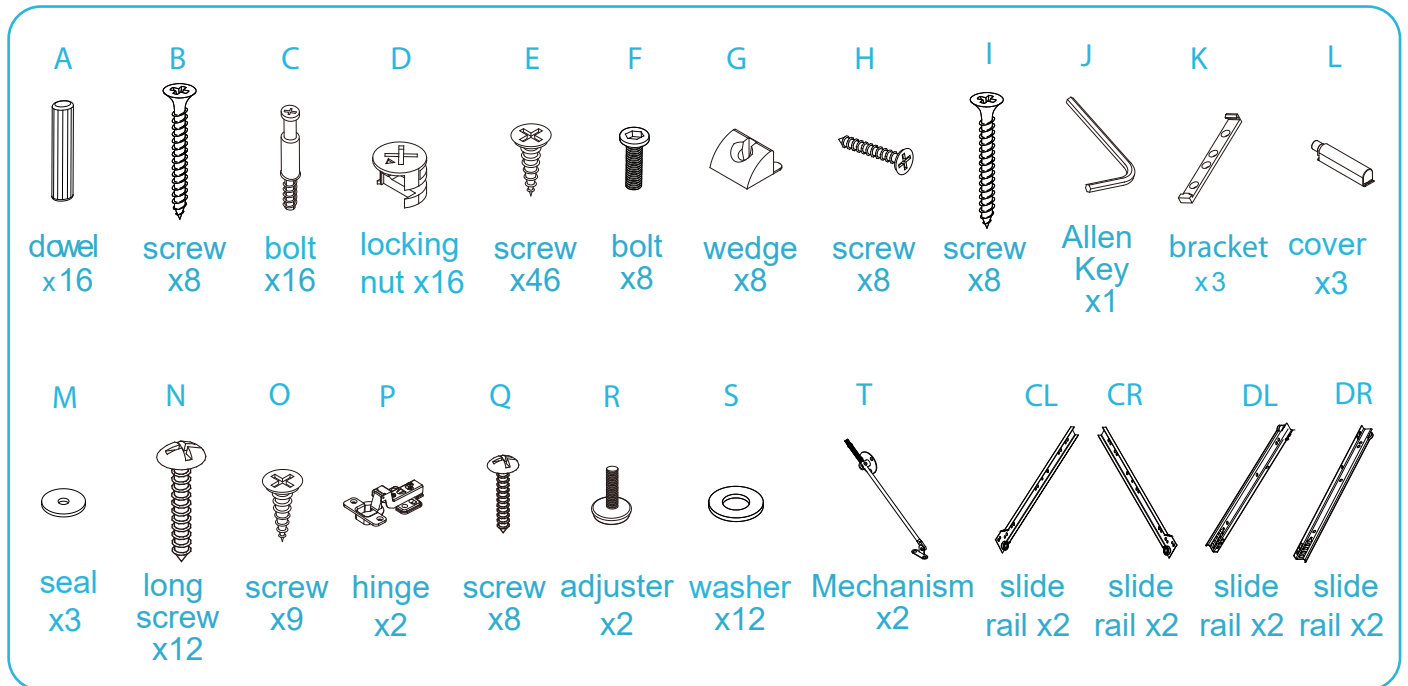
## Panel Layout



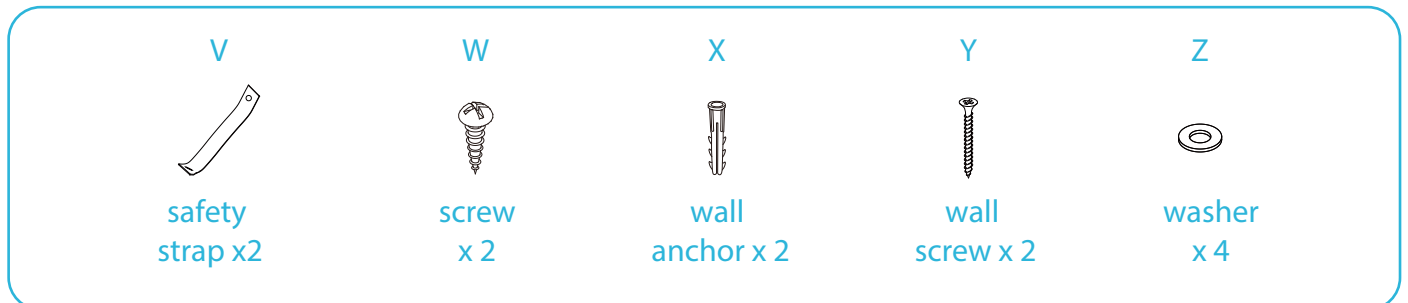
## Partlist

①	Top Panel	x1	⑩	Rail	x2
②	Bottom Panel	x1	⑪	Door	x1
③	Left Side Panel	x1	⑫	Support Leg	x2
④	Right Side Panel	x1	⑬	Left Drawer Side	x2
⑤	Back Panel	x2	⑭	Right Drawer Side	x2
⑥	Back Panel	x1	⑮	Drawer Back	x2
⑦	Divider	x1	⑯	Drawer Base	x2
⑧	Divider	x1	⑰	Drawer Front	x2
⑨	Leg	x2			

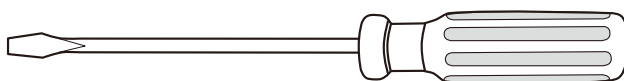
### Hardware Supplied



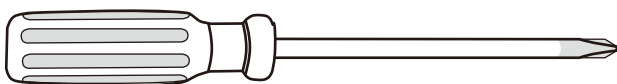
### Wall Strap



**WARNING:** Any furniture that is not anchored to a wall has the potential to tip over in certain circumstances, i.e. if a child attempts to climb up on the furniture or in the event of an earthquake. Accordingly, we recommend that all furniture is anchored to a wall. We supply a free safety wall anchor with all furniture sold and we recommend these are used to prevent your product tipping. The fixing device provided should fit most wall types, but please note that different wall materials may require different fixing devices from those supplied.



Phillips and Flathead screwdrivers



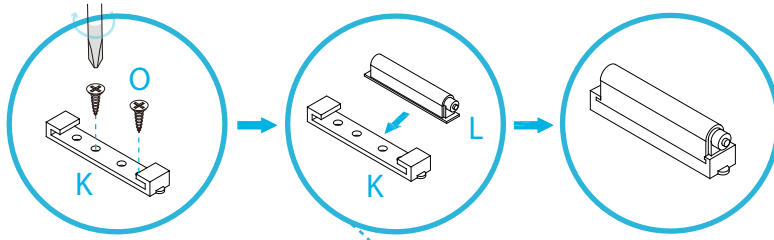
For quicker assembly, we recommend the use of a power drill on a low-speed setting.

# Zander Entertainment unit

## Assembly Instructions

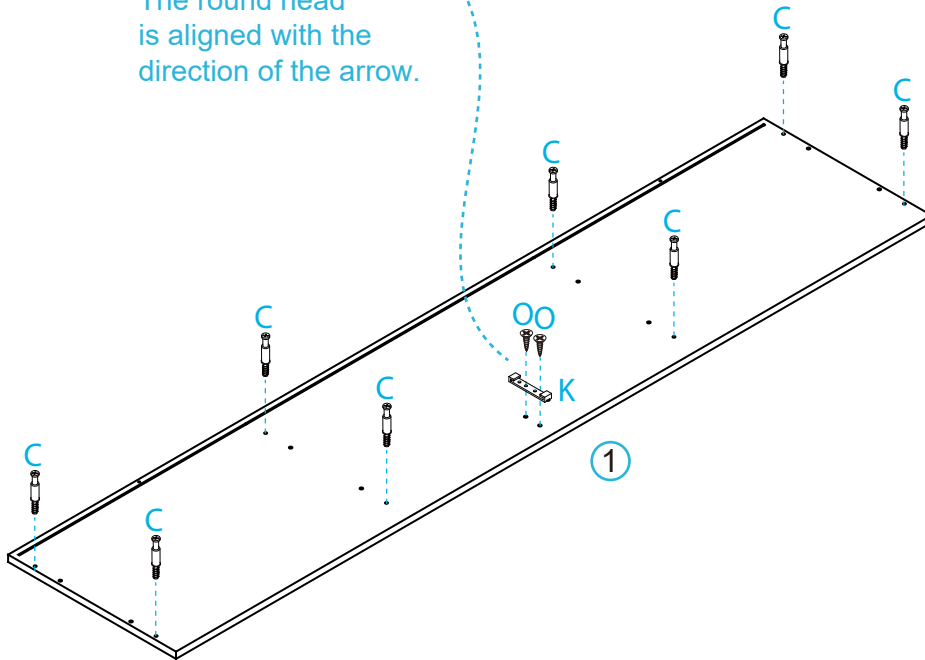
# mocka

# 1

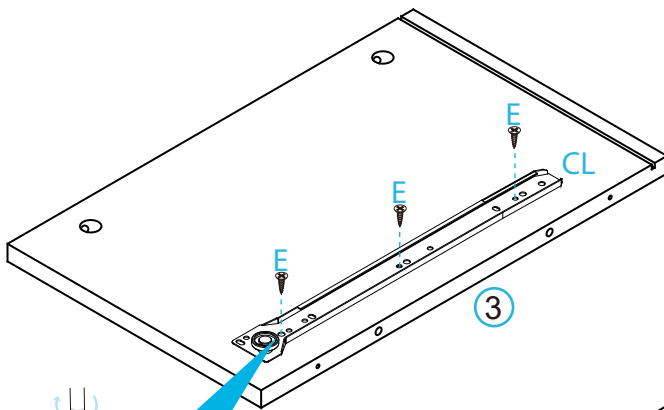


The round head is aligned with the direction of the arrow.

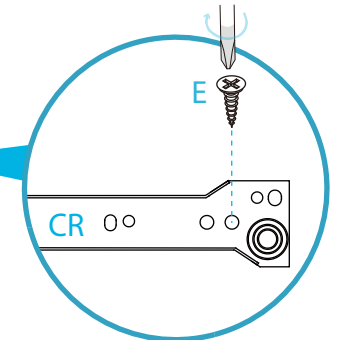
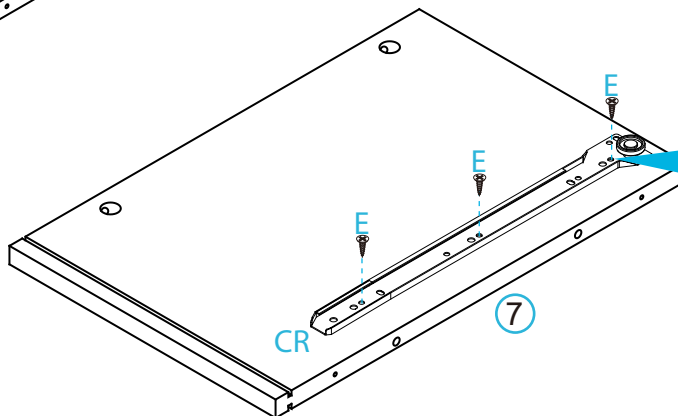
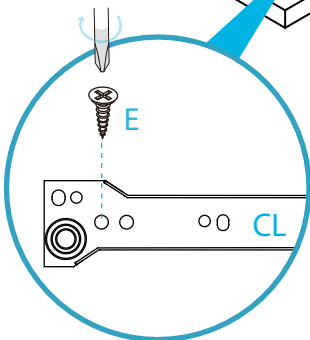
Hardware Needed		
C		x8
K		x1
L		x1
O		x2



# 2



Hardware Needed		
E		x6
CL		x1
CR		x1

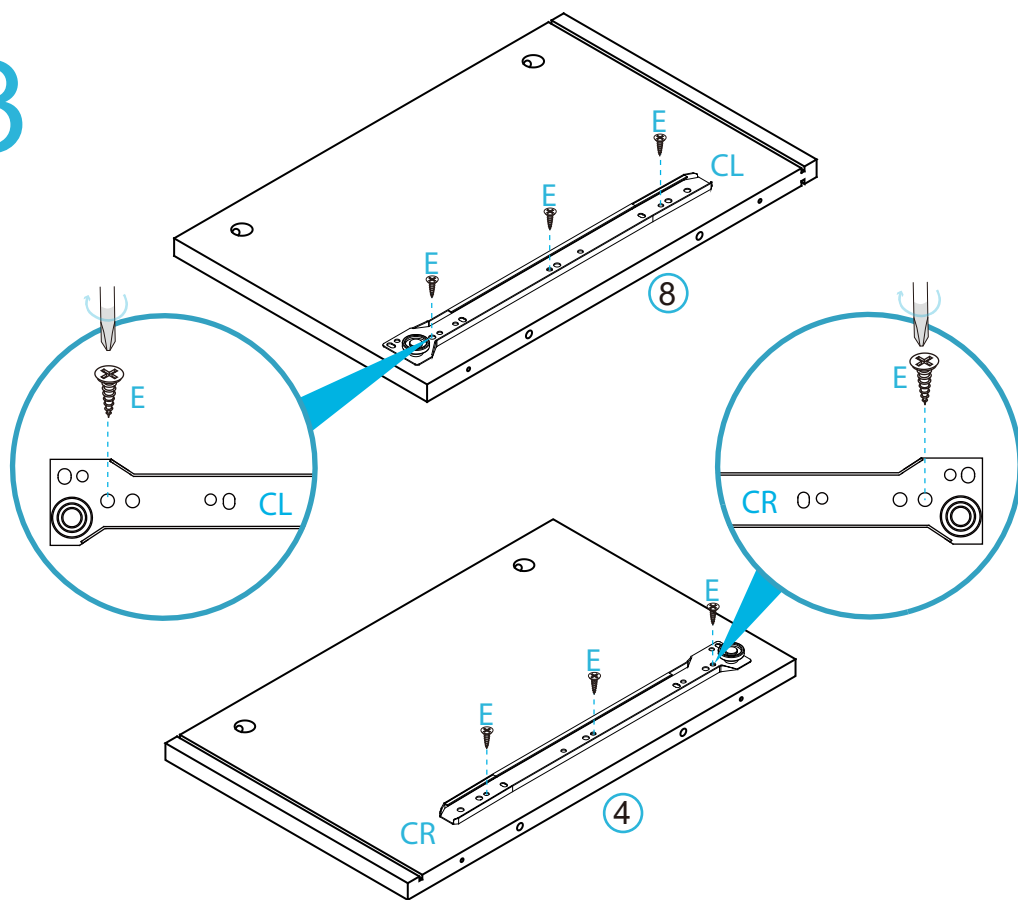





# Zander Entertainment unit

## Assembly Instructions

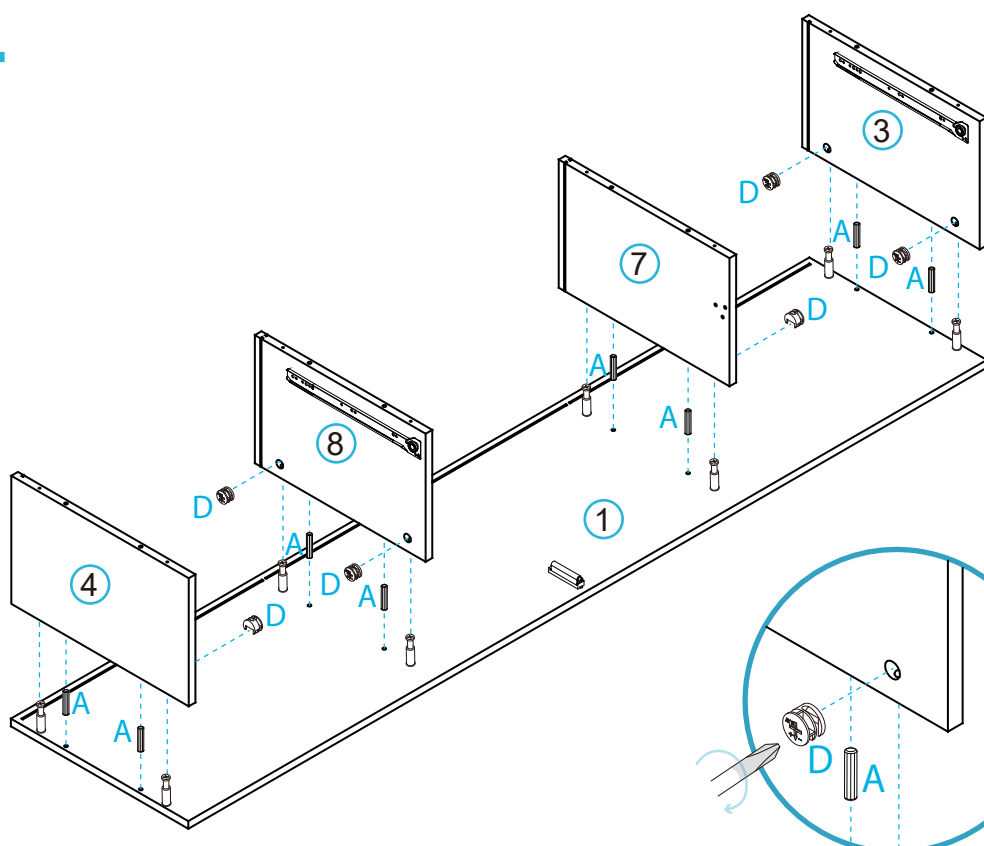
# mocka



### 3



Hardware Needed		
E		x6
CL		x1
CR		x1

### 4



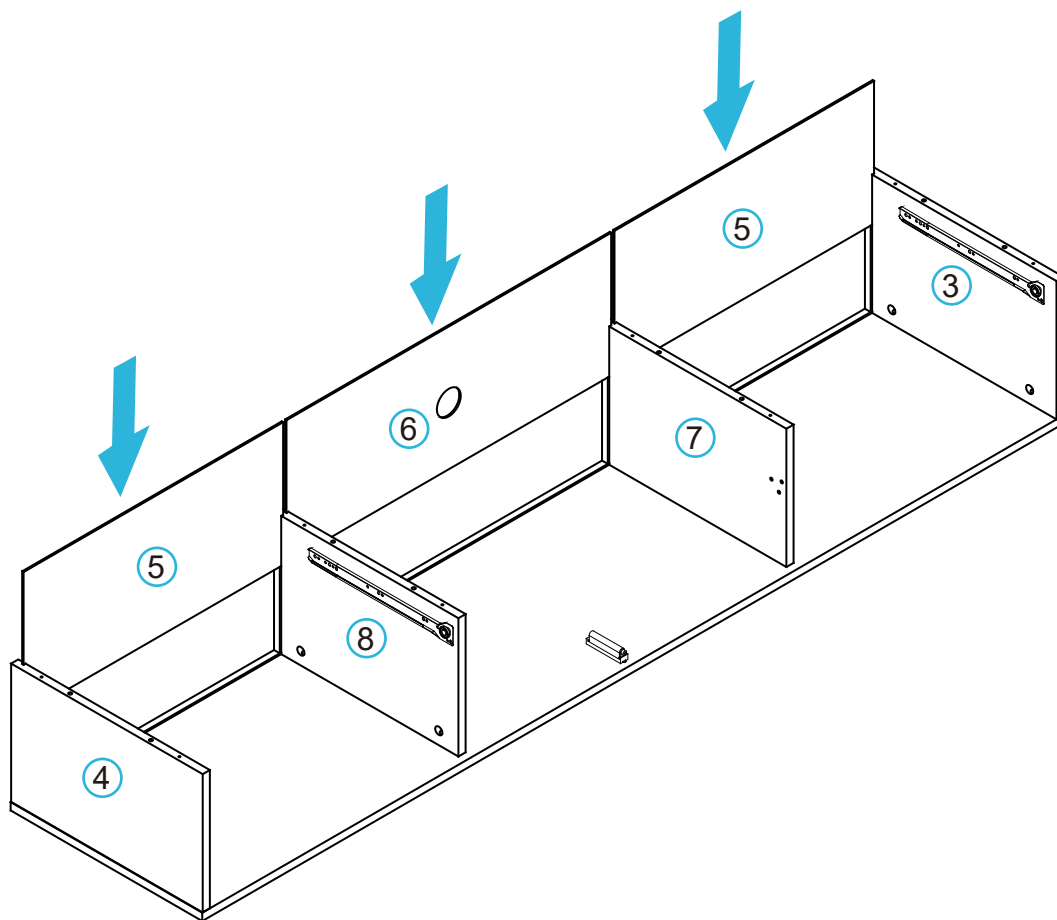
Hardware Needed		
A		x8
D		x8

# Zander Entertainment unit

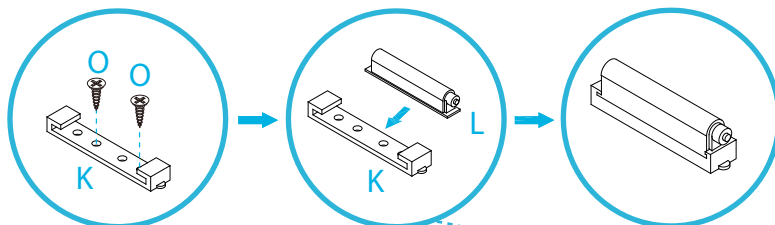
## Assembly Instructions

# mocka

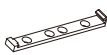
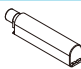

# 5

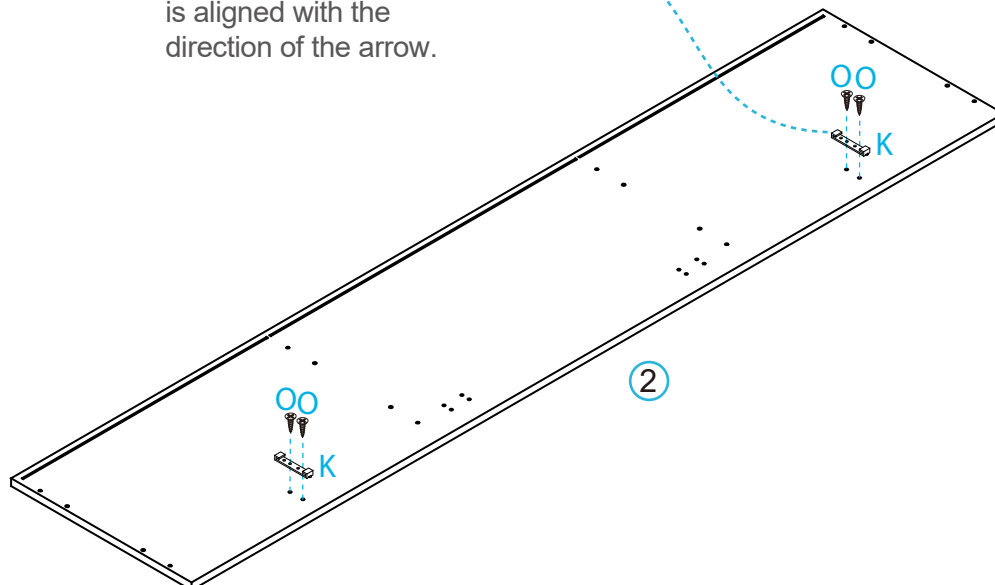


# 6



The round head is aligned with the direction of the arrow.

Hardware Needed		
K		x2
L		x2
O		x4

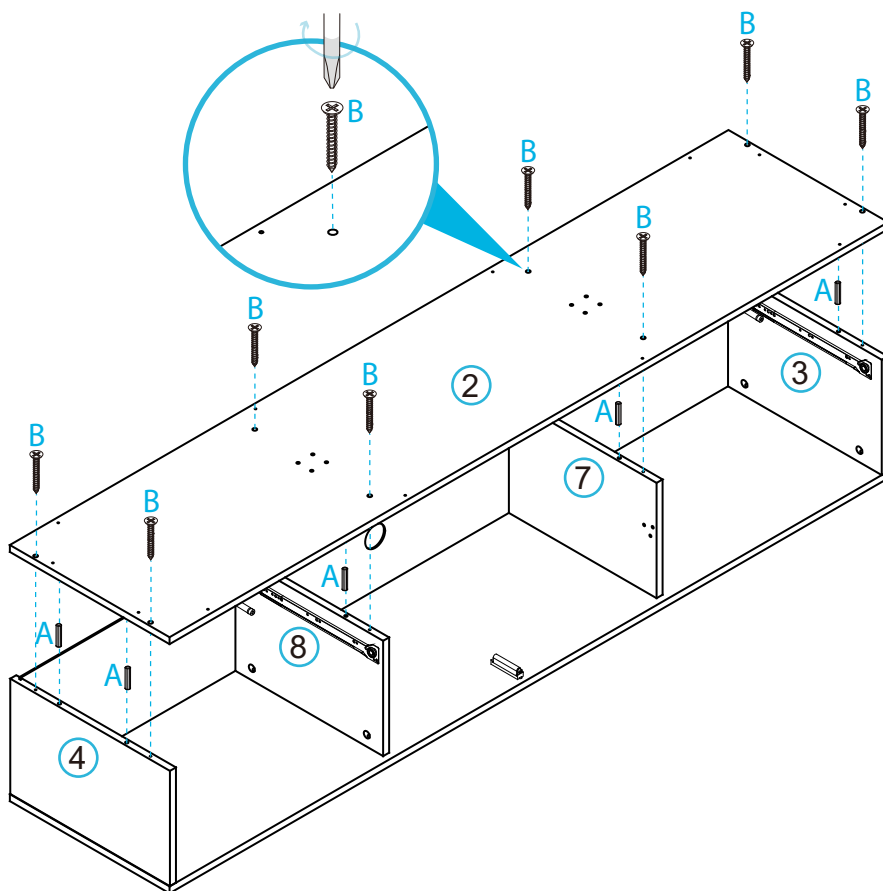




# Zander Entertainment unit

## Assembly Instructions

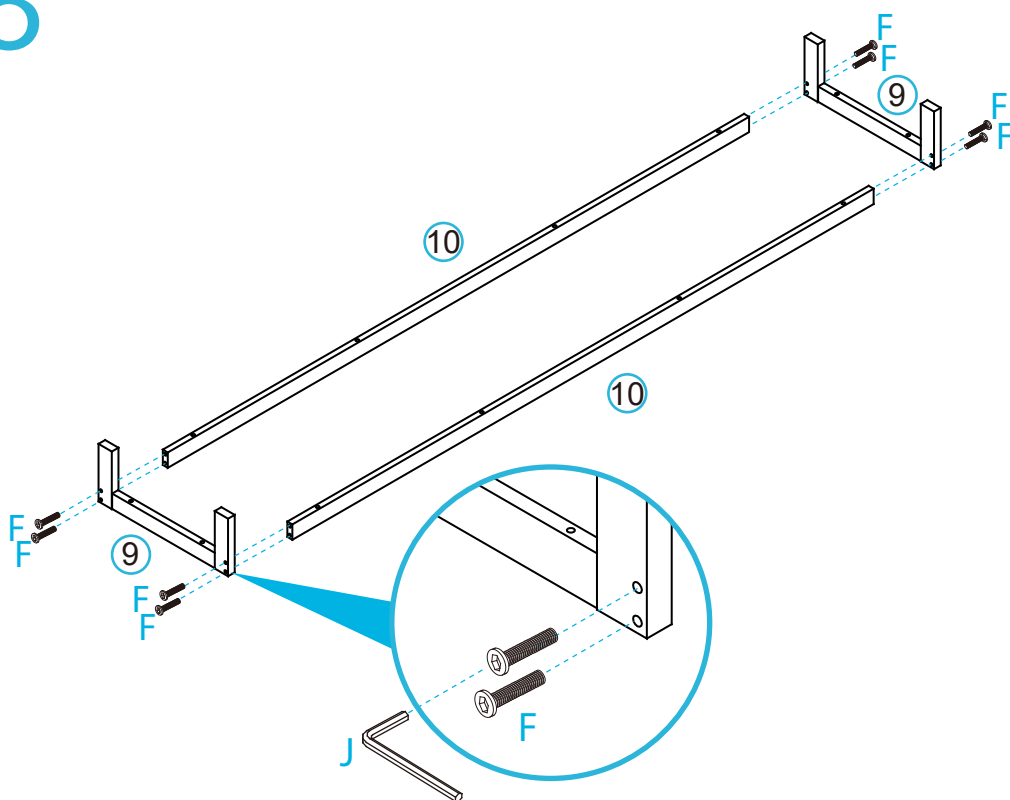
# mocka

# 7



Hardware Needed		
A		x8
B		x8

# 8



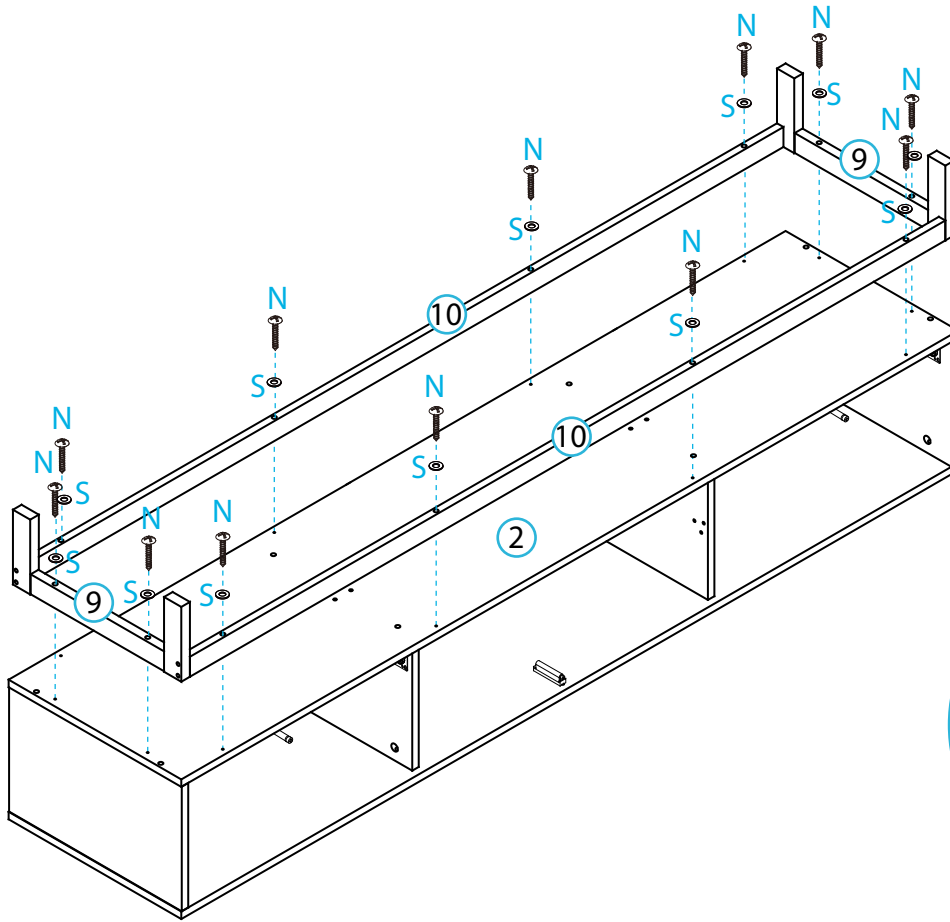
Hardware Needed		
F		x8
J		x1



# Zander Entertainment unit

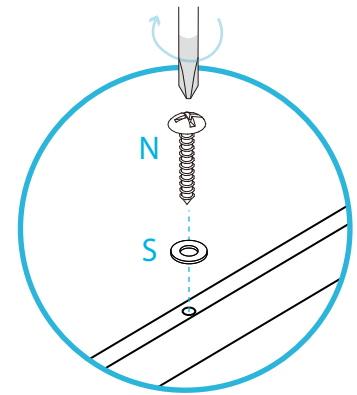
## Assembly Instructions

# mocka

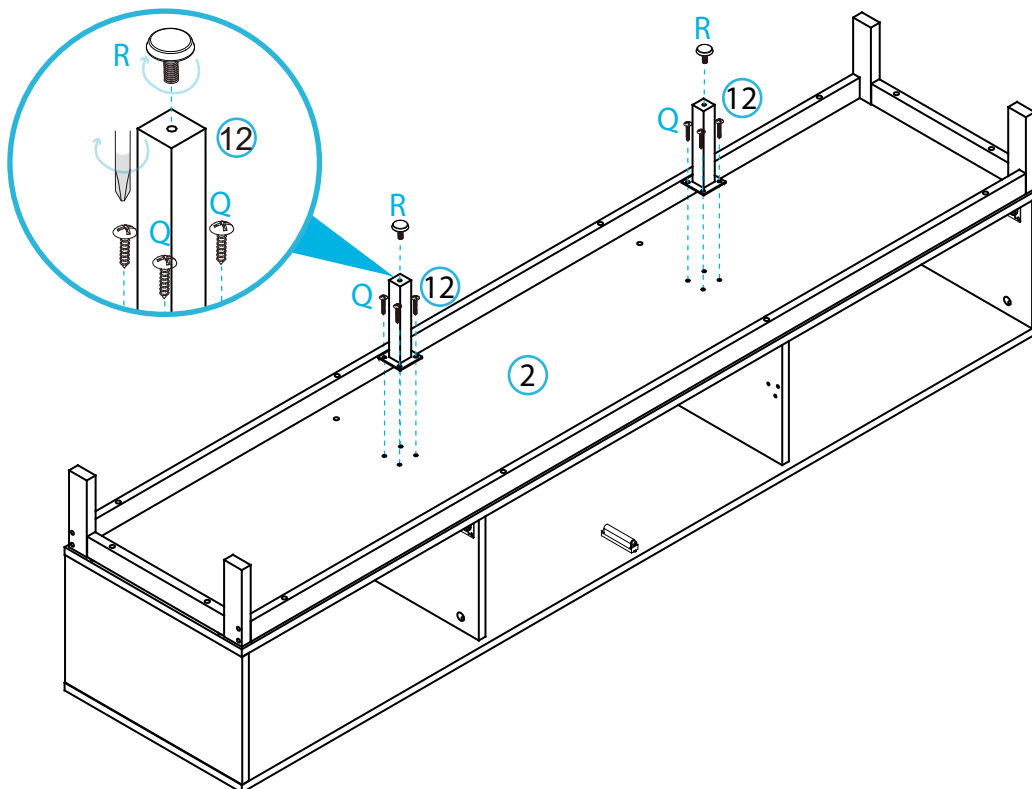
### 9





Hardware Needed		
N		x12
S		x12



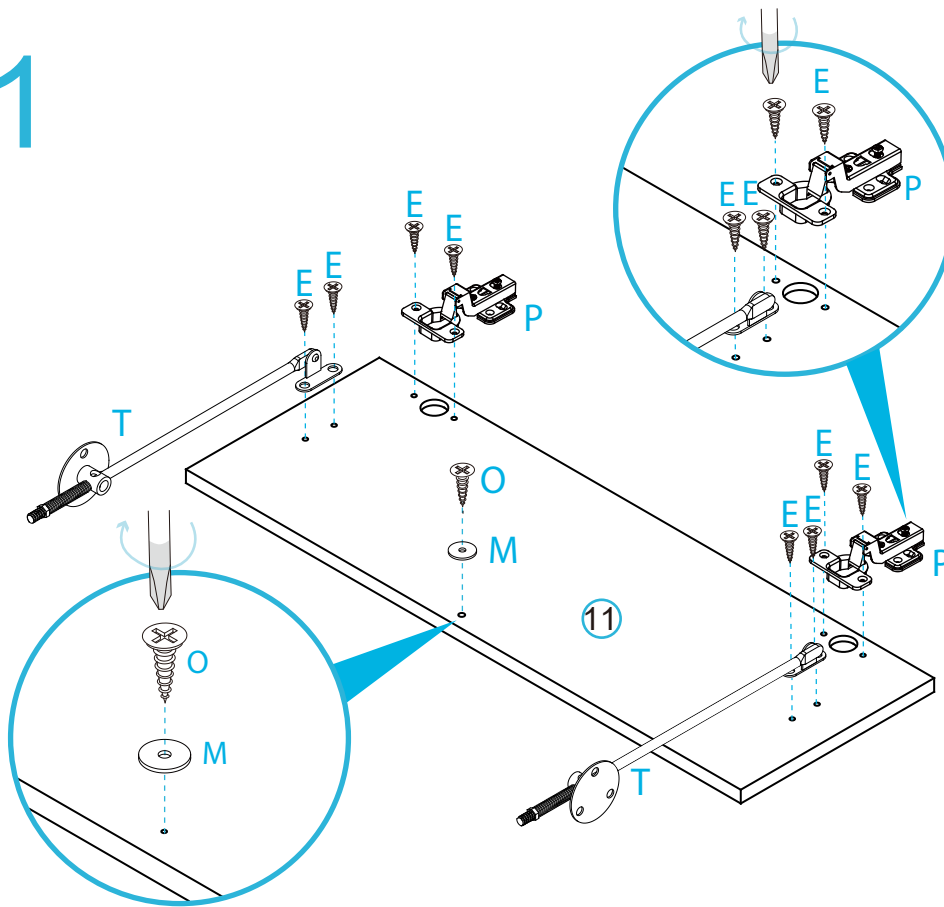
### 10



Hardware Needed		
Q		x8
R		x2



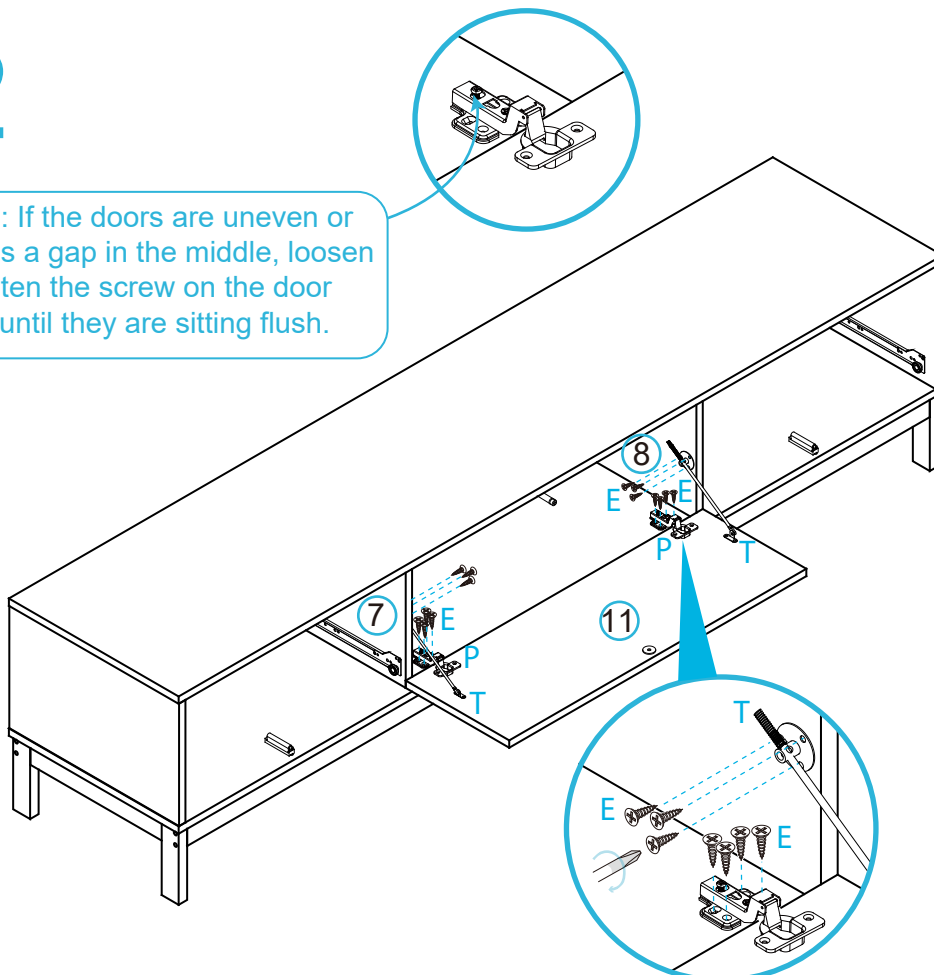
# 11



Hardware Needed		
E		x8
M		x1
O		x1
P		x2
T		x2

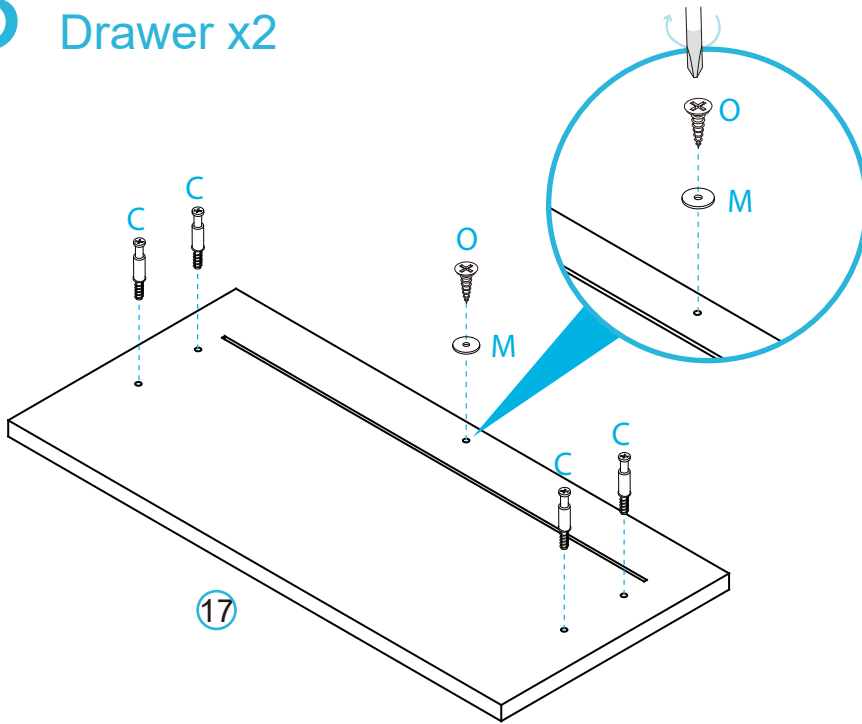
# 12




NOTE: If the doors are uneven or there is a gap in the middle, loosen or tighten the screw on the door hinge until they are sitting flush.



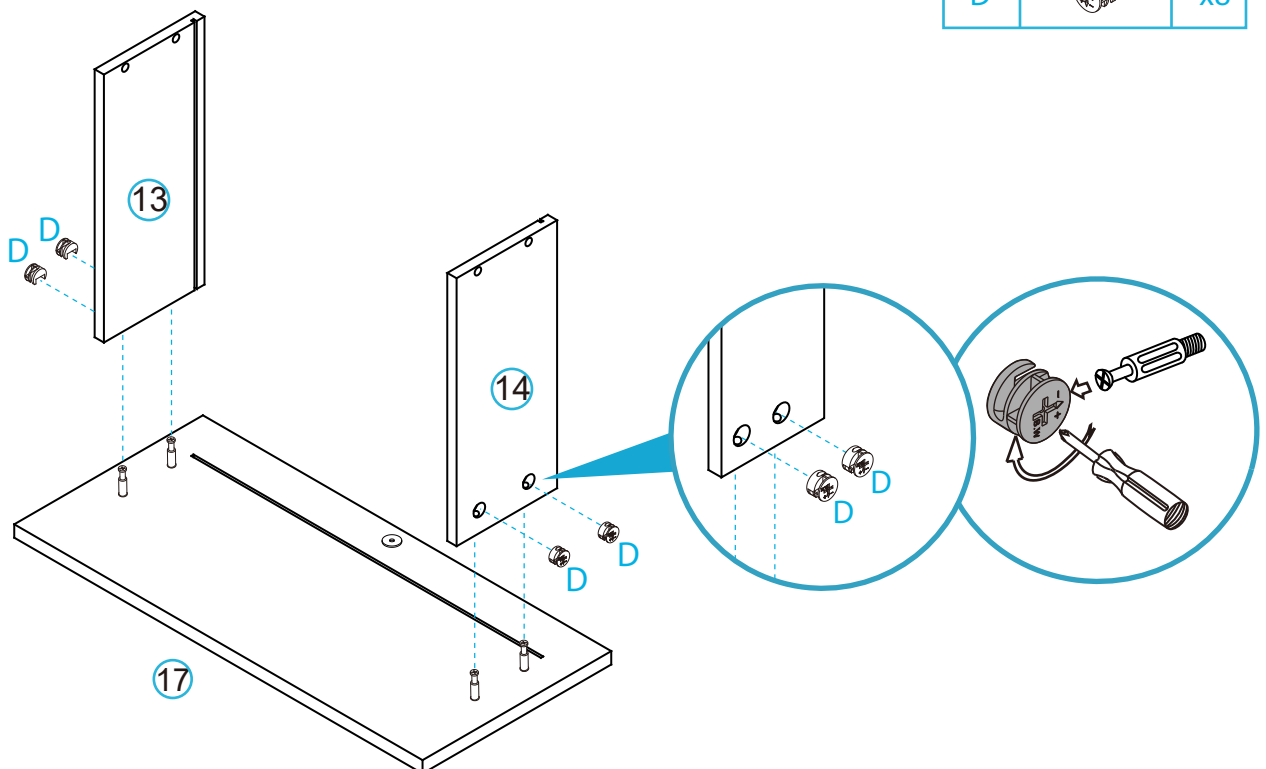
Hardware Needed		
E		x14


### 13 Drawer x2



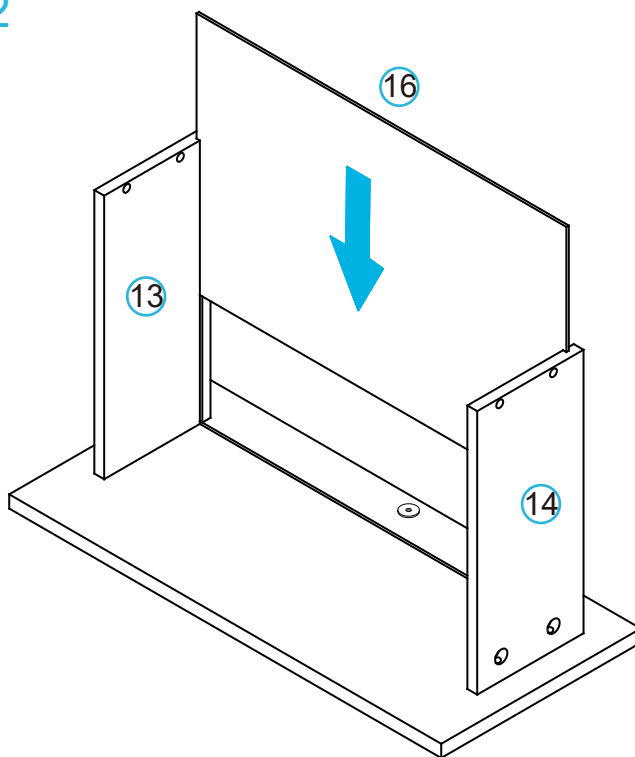
Hardware Needed		
C		x8
M		x2
O		x2

### 14 Drawer x2




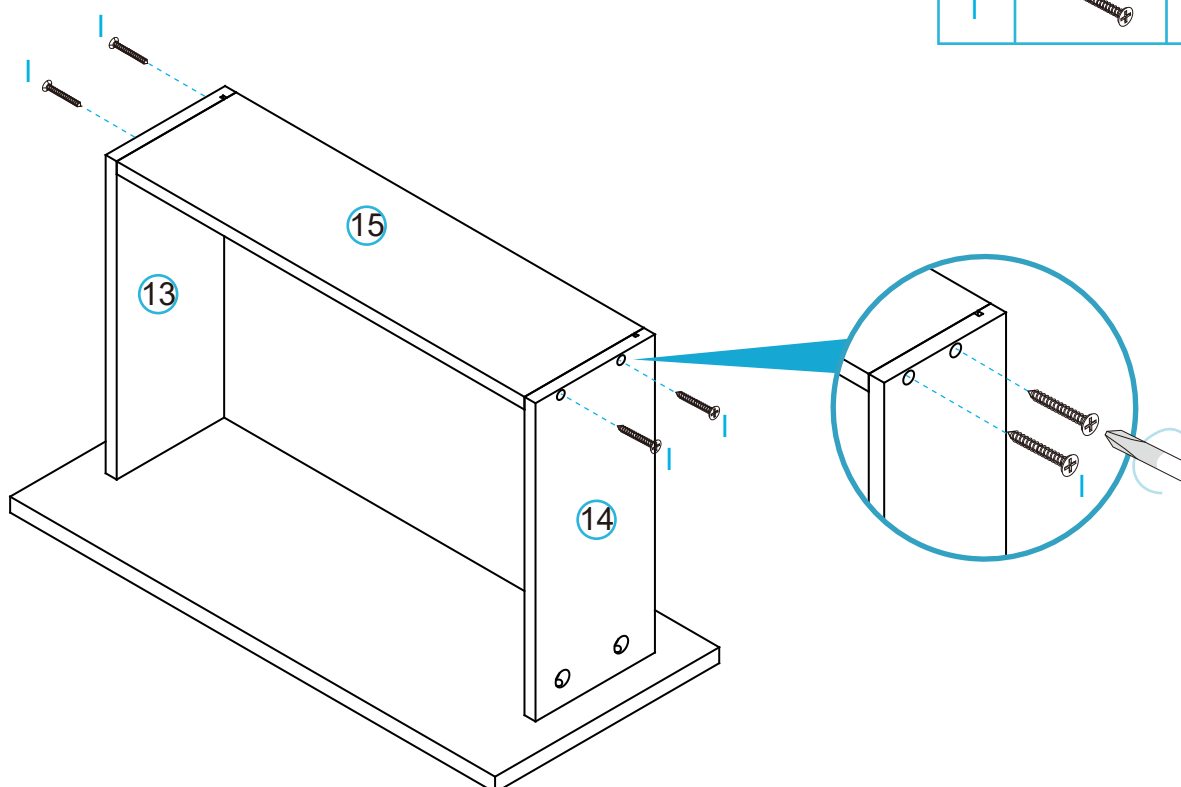
Hardware Needed		
D		x8

### 15 Drawer x2



### 16 Drawer x2

Hardware Needed		
		x8

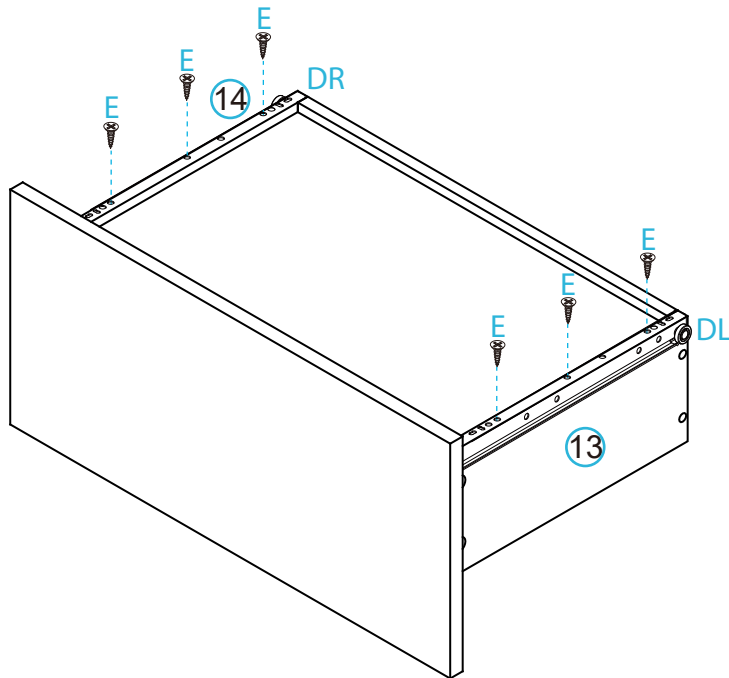





# Zander Entertainment unit

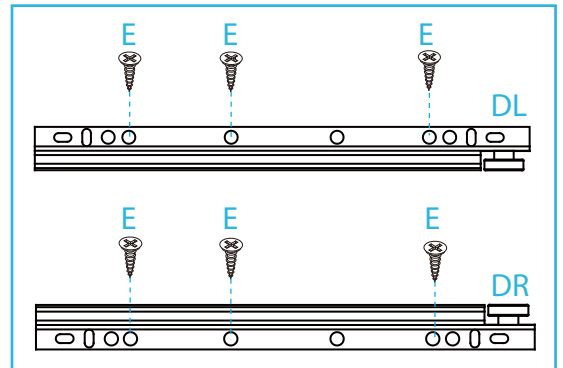
## Assembly Instructions

# mocka

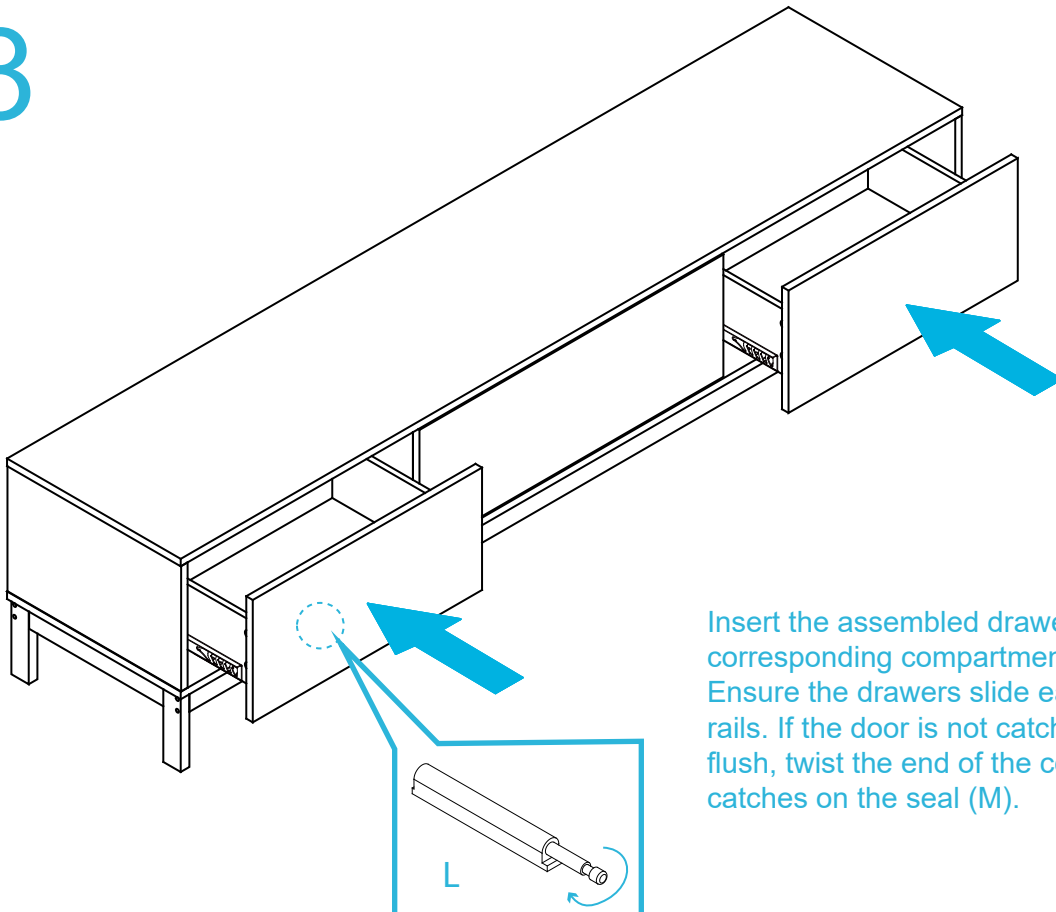
### 17 Drawer x2



Hardware Needed		
E		x12
DL		x2
DR		x2



### 18



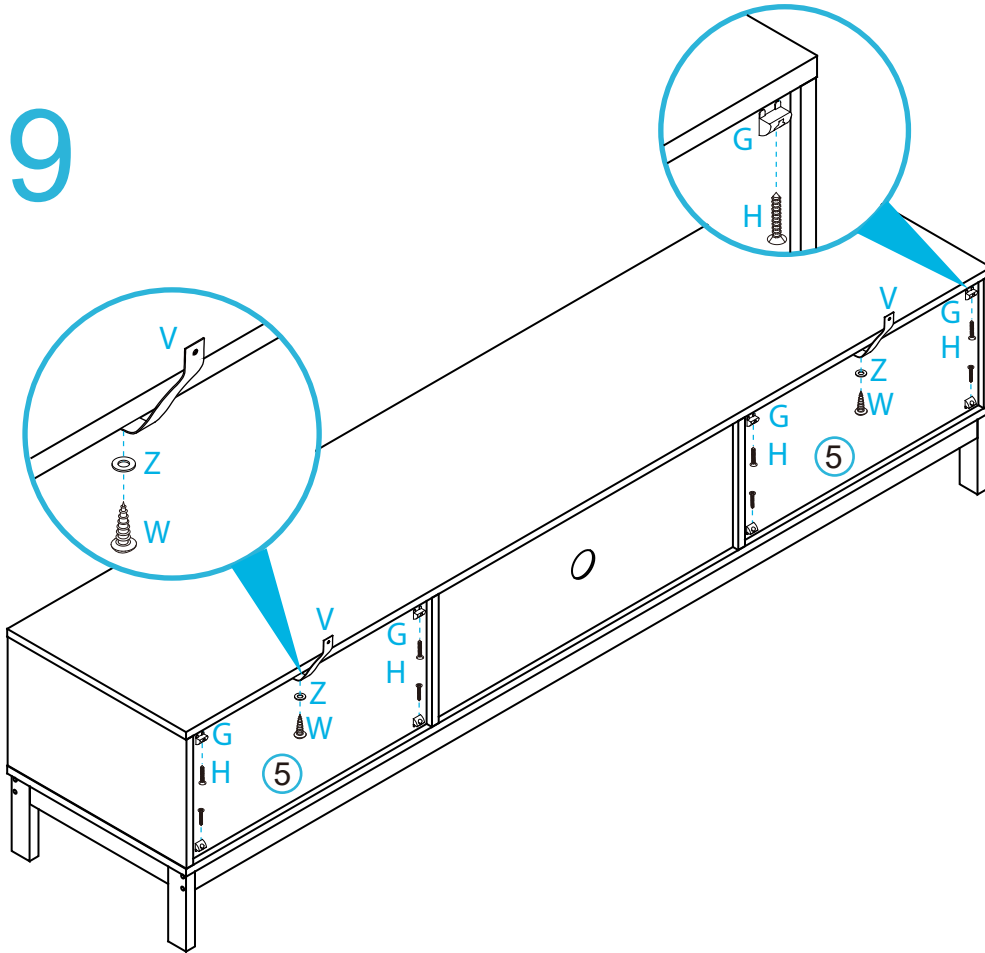
Insert the assembled drawers into the corresponding compartments as shown. Ensure the drawers slide easily along the rails. If the door is not catching or sitting flush, twist the end of the cover (L) until it catches on the seal (M).

# Zander Entertainment unit

## Assembly Instructions

# mocka

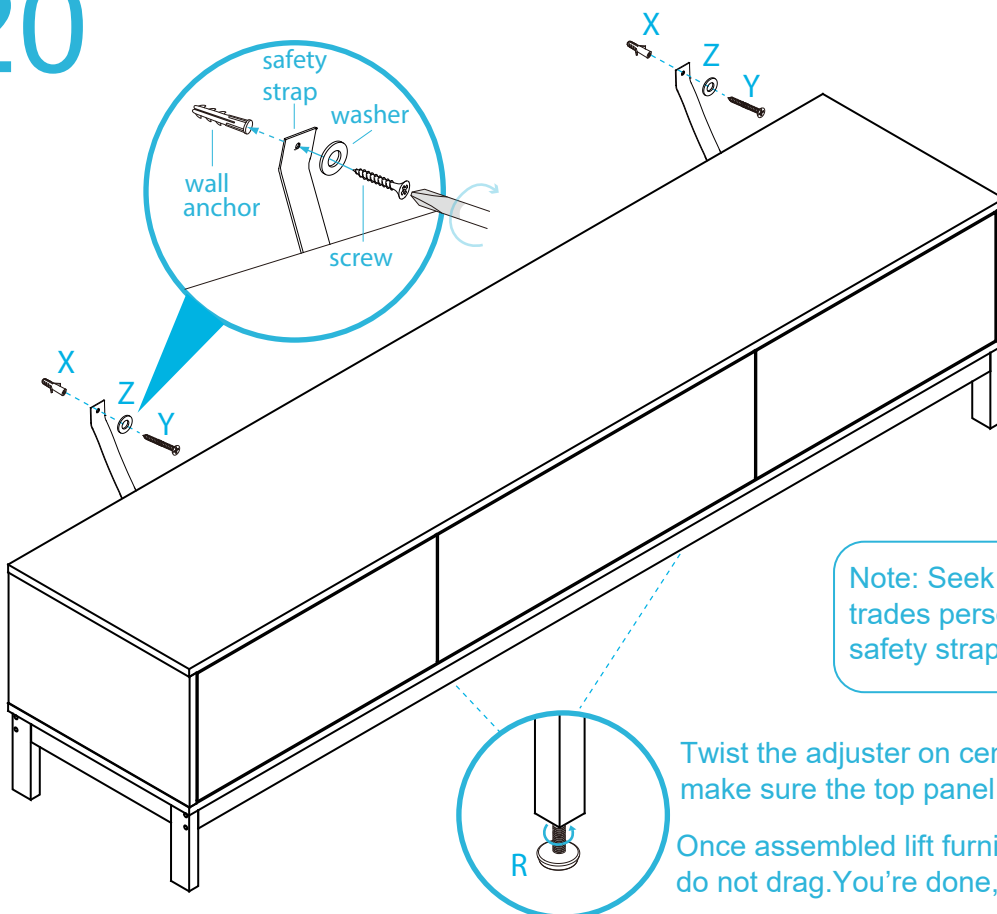
# 19



### Hardware Needed

G		x8
H		x8
V		x2
W		x2
Z		x2

# 20



### Hardware Needed

x		x2
Y		x2
Z		x2

Note: Seek advice from a qualified trades person on how to attach this safety strap to your specific wall.

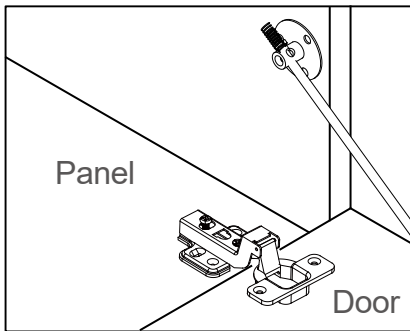
Twist the adjuster on centre leg to make sure the top panel is flush.

Once assembled lift furniture into place, do not drag. You're done, enjoy!

### HOW TO ADJUST THE HINGES TO ALIGN THE DOORS IF NEEDED.

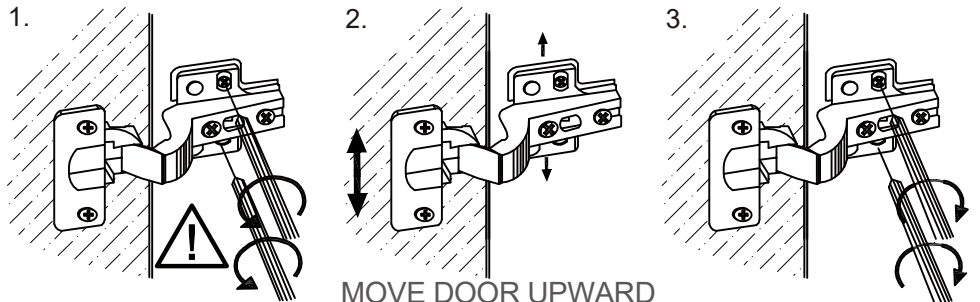
#### STEP 1

Open the door.



#### STEP 2

Adjust the door panels upward or downward

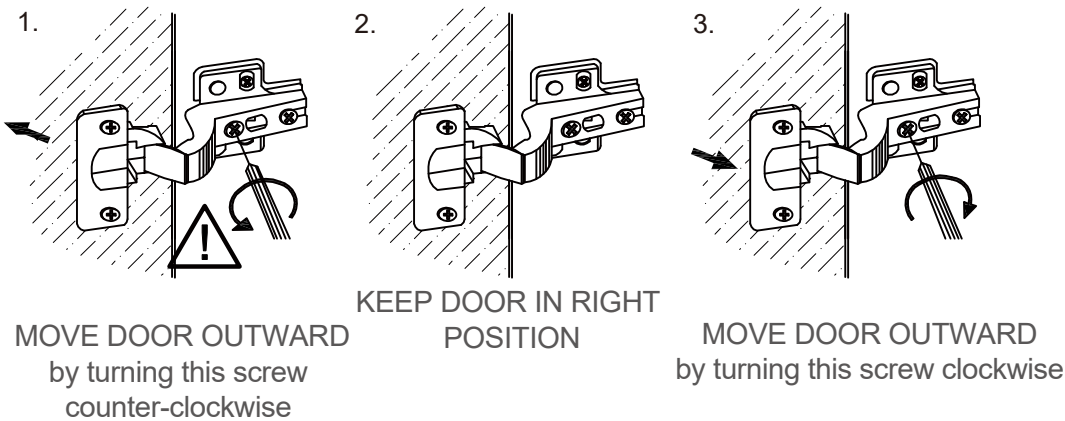


Unscrew 2 screws in round holes loosen 2 screws in oval holes a bit.

Tighten 2 screws in oval holes. Screw in 2 screws in round holes

#### STEP 3

Adjust the flush between door panel and side panel



#### STEP 4

Adjust the Gap between door panel and side panel

